



# 235 1/4" TX Chiavi a bussola TORX®



## DATI TECNICI

- Acciaio speciale altamente legato al Cromo Vanadio
- Esecuzione cromata

## NORMATIVE

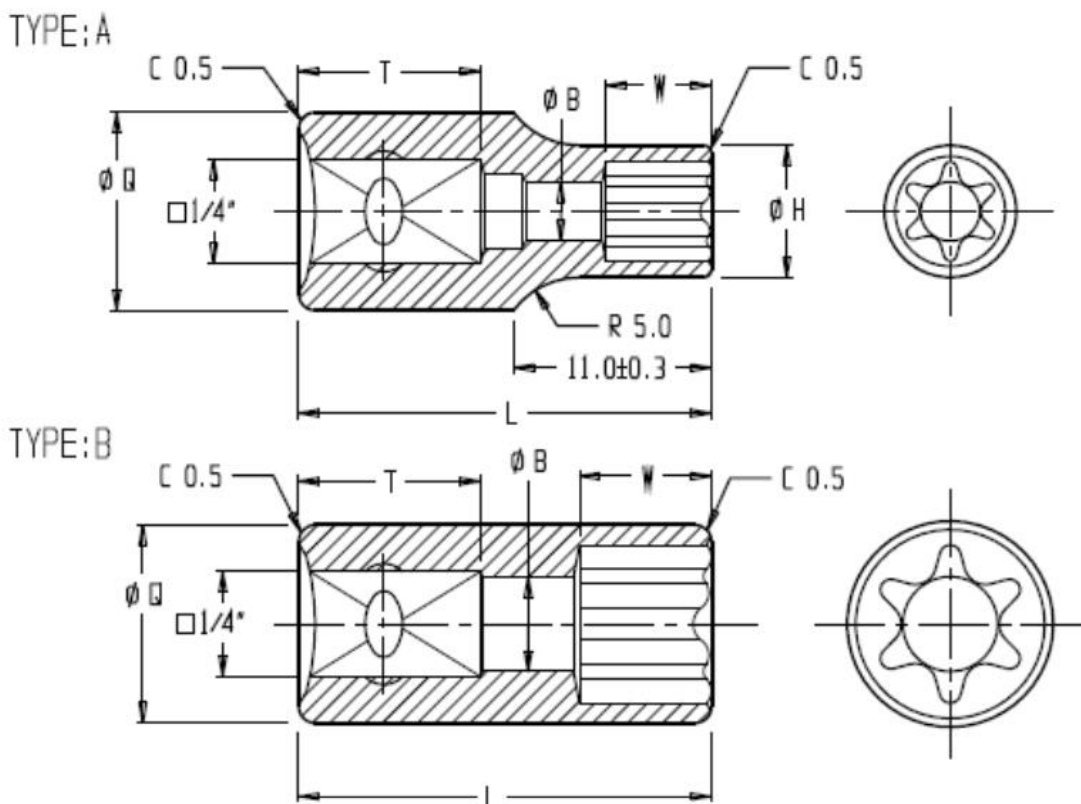
- ISO 1174-1



# 235 1/4" TX

## Chiavi a bussola TORX®

### DISEGNO



### TABELLA DISEGNO

Codice	Disegno	n°	L	Q	H	T	W	B	HRC
U02350402	A	E4	25,0	12,0	6,1	8,0	3,6	2,4	38÷48
U02350403	A	E5	25,0	12,0	6,9	8,0	4,0	3,0	
U02350404	A	E6	25,0	12,0	8,0	8,0	6,0	3,6	
U02350405	A	E7	25,0	12,0	8,8	8,0	7,0	3,9	
U02350406	A	E8	25,0	12,0	10,2	8,0	8,0	4,3	
U02350408	B	E10	25,0	12,0	12,0	8,0	8,0	5,6	

Misure in mm



# 235 1/4" TX Chiavi a bussola TORX®

## MATERIALI

Acciaio: 50BV30

## CONFEZIONAMENTO

- Sacchetto di plastica
- Misure: E4 – E5 – E6 – E7 – E8 – E10



**Stanley Black & Decker Italia Srl**  
Via Volta, 3 - 21020 Monvalle (VA)  
Tel. +39 0332 790111 - Fax +39 0332 790330  
info.mv@usag.it

**USAG.IT**  
**USAG-TOOLS.NET**

UK Importer - USAG UK, 270 Bath Rd, Slough SL1 4DX, England